

PIGGY-BACKS

GPB SERIES

Maximum Electrical Current:

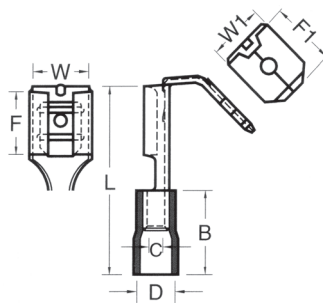
22-16 A.W.G.: 10 amperes
 16-14 A.W.G.: 15 amperes
 12-10 A.W.G.: 24 amperes

Maximum Electrical Rating:

75 °C (167 °F)
 300 volts

Insulation Material: Vinyl

Terminal Material: Brass (tin-plated)



WIRE RANGE A.W.G.	PART NUMBER	NEMA TAB SIZES	DIMENSIONS (inches/mm)						BULK QTY
			W	F	L	B	D	C	
22-16	GPB-R25V	0.250 x 0.032 (6.35 x 0.8)	0.260 6.6	0.315 8.0	0.866 22.0	0.394 10.0	0.157 4.0	0.067 1.7	1000
16-14	GPB-B25V	0.250 x 0.032 (6.35 x 0.8)	0.260 6.6	0.315 8.0	0.866 22.0	0.394 10.0	0.177 4.5	0.091 2.3	1000

FLAGS

GFF SERIES

Maximum Electrical Current:

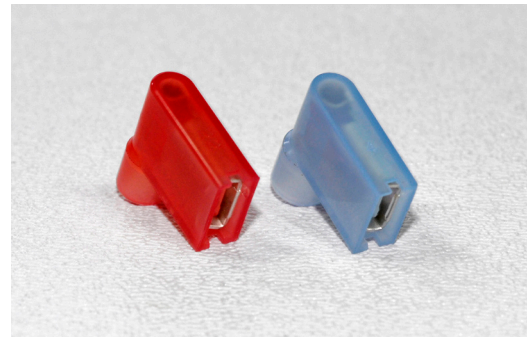
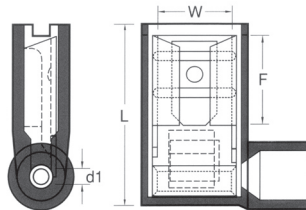
22-16 A.W.G.: 10 amperes
 16-14 A.W.G.: 15 amperes
 12-10 A.W.G.: 24 amperes

Maximum Electrical Rating:

105 °C (221 °F)
 300 volts

Insulation Material: Nylon

Terminal Material: Brass (tin-plated)



WIRE RANGE A.W.G.	PART NUMBER	NEMA TAB SIZE	DIMENSIONS (inches/mm)					BULK QTY
			W	F	L	d1	T	
22-16	GFF-R25N	0.250 x 0.032 (6.35 x 0.8)	0.260 6.6	0.299 7.6	0.630 16.0	0.067 1.7	0.016 0.4	1000
16-14	GFF-B25N	0.250 x 0.032 (6.35 x 0.8)	0.260 6.6	0.299 7.6	0.630 16.0	0.091 2.3	0.016 0.4	1000