

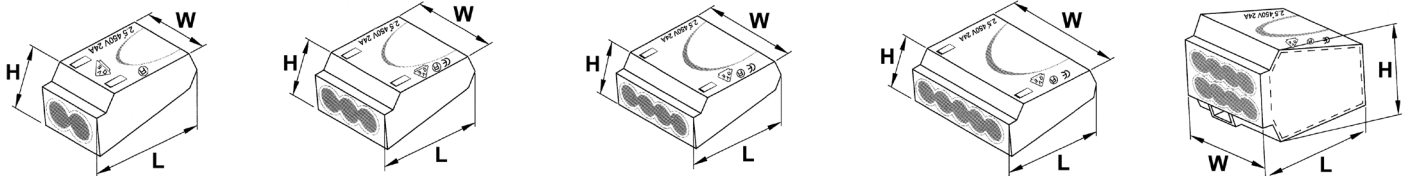
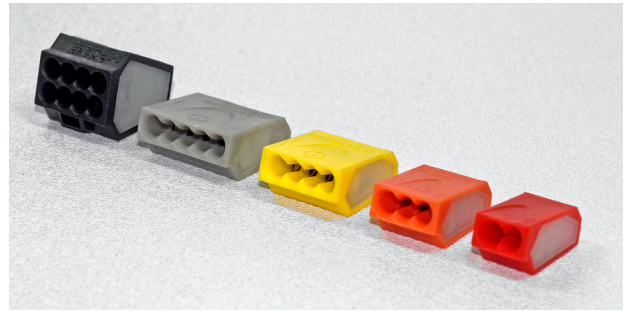
# PUSH-IN WIRE CONNECTORS

GPC | SERIES

## GPC Push-In Wire Connectors features:



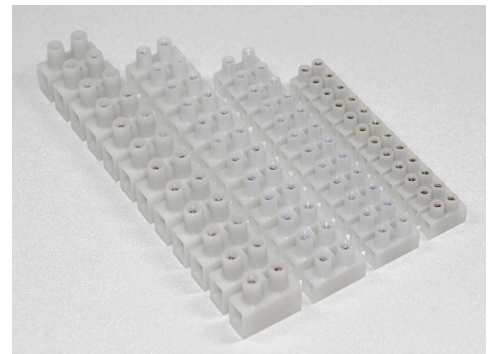
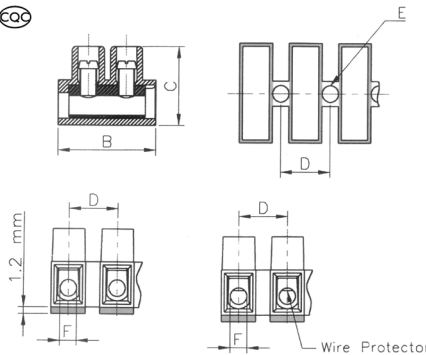
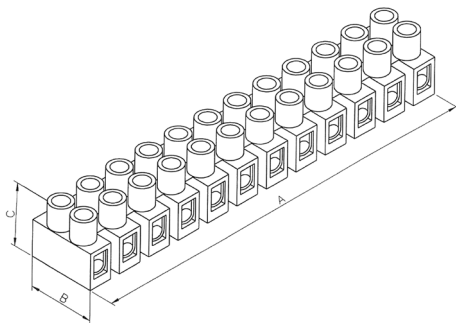
- UL Listed
- Simply insert wires into the poles for a quick and secure wire connection; No twisting or crimping.
- Compact flame-retardant thermoplastic insulation shell
- 30A, 110 °C (230 °F), 600V (1000V in fixtures and signs)
- Rear mounted test ports to test current continuity
- Highly conductive, tin-plated internal copper bus
- Clear side panel for easy inspection



PART NUMBER	COLOR	NUMBER of POLLS	ACCEPTED WIRE RANGE	DIMENSIONS L x W x H (in/mm)	POLE DIAMETER (in/mm)	PACKAGING	
						STD.	BULK
GPC-252	Red	2	22-12 AWG Solid or tinned stranded	0.77 x 0.41 x 0.37 19.5 x 10.5 x 9.5	0.1 (2.5)	100	500
GPC-253	Orange	3	22-12 AWG Solid or tinned stranded	0.78 x 0.53 x .037 19.7 x 13.5 x 9.5		100	500
GPC-254	Yellow	4	22-12 AWG Solid or tinned stranded	0.78 x 0.68 x 0.374 19.7 x 17.2 x 9.5		100	500
GPC-255	Gray	5	22-12 AWG Solid or tinned stranded	0.78 x 0.83 x 0.37 19.7 x 21.1 x 9.5		100	500
GPC-258	Black	8	22-12 AWG Solid or tinned stranded	0.78 x 0.69 x 0.66 19.7 x 17.5 x 16.8		100	250

# TERMINAL BLOCKS

GTB | SERIES



PART NUMBER	A.W.G.	AMP	VOLT.	SCREW SIZE	DIMENSIONS (in/mm)					
					A	B	C	D	E	F
GTB-8	22-12	20A	300V	M2.6 x 5	3.74	0.67	0.57	0.32	0.11	0.11
					96.2	17.0	14.5	8.0	2.9	2.9
GTB-10	22-10	30A	300V	M3.0 x 6	4.63	0.80	0.67	0.39	0.14	0.13
					117.0	20.2	17.0	10	3.6	3.2
GTB-12	22-10	35A	300V	M3.5 X 7	5.54	0.94	0.75	0.48	0.15	0.15
					140.7	23.8	19.0	12.2	3.8	3.9
GTB-14	20-8	50A	300V	M4.0 x 9	6.22	1.01	1.0	0.53	0.17	0.19
					158.0	25.6	25.2	13.5	4.3	4.8