

HOOKS

GH | SERIES

Maximum Electrical Current:

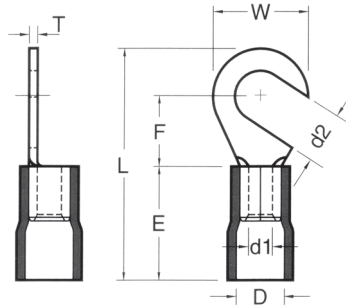
22-16 A.W.G.: 19 amperes
 16-14 A.W.G.: 27 amperes
 12-10 A.W.G.: 48 amperes

Maximum Electrical Rating:

75 °C (167 °F)
 600 volts

Insulation Material: Vinyl

Terminal Material: Copper (tin-plated)



WIRE RANGE A.W.G.	PART NUMBER	STUD SIZE	DIMENSIONS (inches/mm)								BULK QTY
			d2	W	F	L	E	D	d1	T	
22-16	GH-R6V	#6	0.146 3.7	0.315 8.0	0.276 7.0	0.819 20.8	0.394 10.0	0.157 4.0	0.067 1.7	0.030 0.75	1000
	GH-R8V	#8	0.169 4.3	0.315 8.0	0.276 7.0	0.819 20.8	0.394 10.0	0.157 4.0	0.067 1.7	0.030 0.75	1000
16-14	GH-B6V	#6	0.146 3.7	0.335 8.5	0.307 7.8	0.858 21.8	0.394 1.0	0.177 4.5	0.091 2.3	0.031 0.8	1000
	GH-B8V	#8	0.169 4.3	0.335 8.5	0.307 7.8	0.858 21.8	0.394 1.0	0.177 4.5	0.091 2.3	0.031 0.8	1000
	GH-B10V	#10	0.209 5.3	0.374 9.5	0.287 7.3	0.858 21.8	0.394 1.0	0.177 4.5	0.091 2.3	0.031 0.8	1000
12-10	GH-Y10V	#10	0.209 5.3	0.374 9.5	0.374 9.5	1.055 26.8	0.512 13.0	0.248 6.3	0.134 3.4	0.039 1.0	1000

QUICK-SPLICE DISCONNECTORS

GQS | SERIES

Maximum Electrical Current:

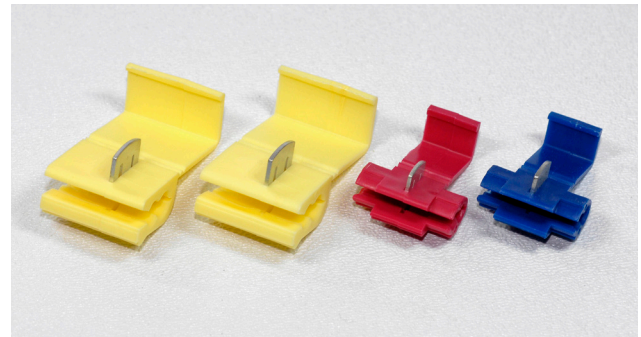
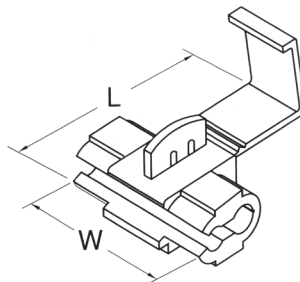
22-16 A.W.G.: 10 amperes
 18-14 A.W.G.: 15 amperes
 12-10 A.W.G.: 24 amperes

Maximum Electrical Rating:

105 °C (221 °F)
 600 volts

Insulation Material: Polypropylene

Terminal Material: Brass (tin-plated)



WIRE RANGE A.W.G.	PART NUMBER	DIMENSIONS (inches/mm)		ELECTRICAL SPECIFICATIONS			BULK QTY
		W	L	MATERIALS	MAX AMPS & VOLTS	MAX TEMP	
22-18	GQS-R6V	0.787 20.0	1.063 27.0	POLYPROPYLENE INSULATED	10 amperes 600 volts	105 °C (221 °F)	500
18-14	GQS-B6V	0.787 20.0	1.063 27.0		15 amperes 600 volts	105 °C (221 °F)	500
12-10	GQS-Y6V	0.807 20.5	1.358 34.5	BRASS CONDUCTOR	24 amperes 600 volts	105 °C (221 °F)	200
12-10 run + 18-14 tap	GQS-Y10V	0.807 20.5	1.358 34.5		24 amperes 600 volts	105 °C (221 °F)	200